

Technische Daten:

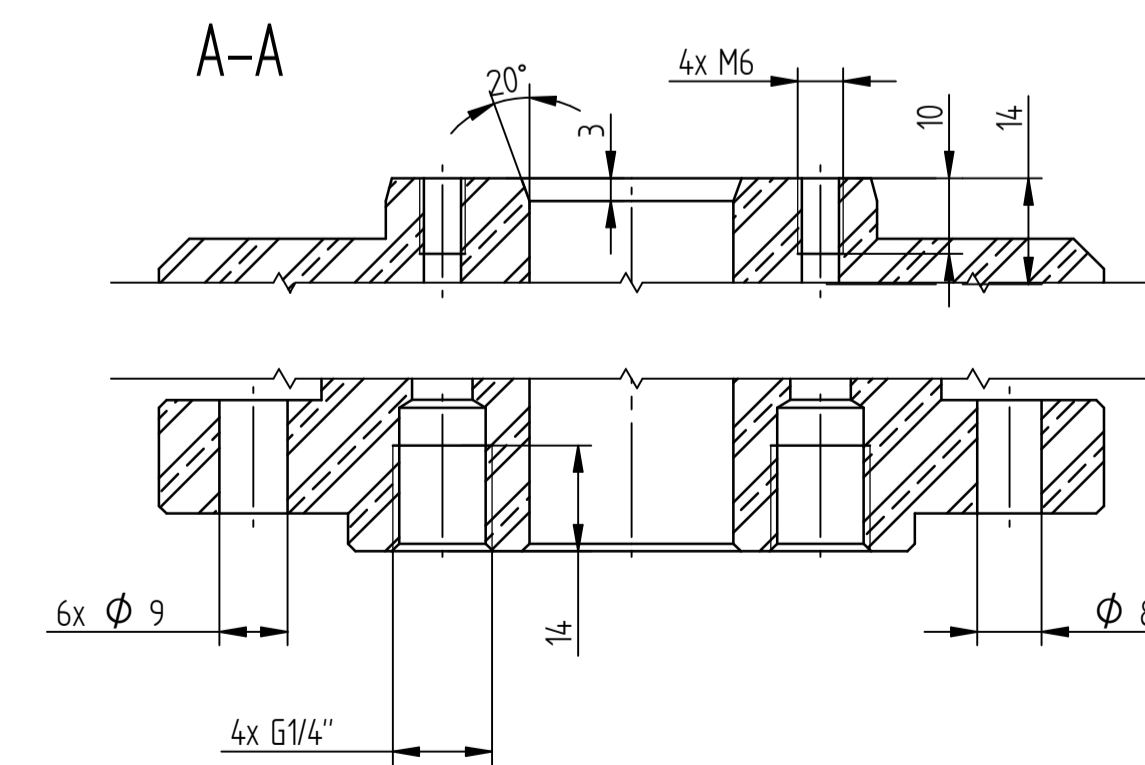
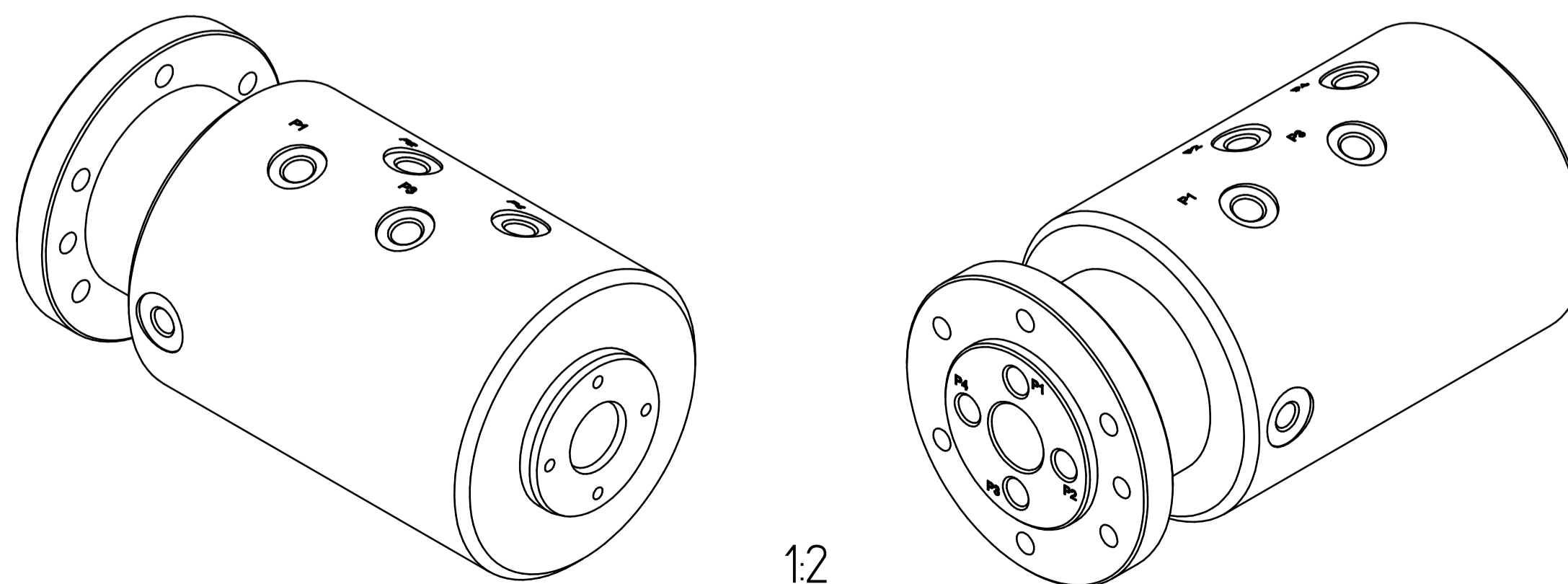
- Es dürfen keine Radial- oder Axialkräfte auf die Drehdurchführung wirken
- Keine metallischen Gleitflächen in radialer und axialer Richtung
- Kugellager zwischen Rotor und Stator
- Dichtungsfläche hartverchromt
- Stator 1.4057 - X17CrNi16-2
- Rotor 1.4057 - X17CrNi16-2

Technical data:

- Radial or axial loads must not be applied to the rotary joint
- No metallic sliding surfaces in axial or radial direction
- Ball bearing between stator and rotor
- Running surfaces hard chrome plated
- Stator stainless steel 1.4057
- Rotor stainless steel 1.4057

Betriebsbedingungen / Working conditions		
max. Drehzahl / max. rotating speed	200	U / min / rpm
zul. Temperaturbereich Wasser / permitted Temperature range water	+1 ... +80	°C
zul. Temperaturbereich Luft / permitted Temperature range air	-20 ... +80	°C

Anschlüsse / Connections	Stator	Rotor	Medium	Nenndruck / Nominal pressure	Prüfdruck / Test pressure
P1	1 x G 1/4"	1 x G 1/4"	Luft / Wasser / Air / Water	10 bar	15 bar
P2	1 x G 1/4"	1 x G 1/4"	Luft / Wasser / Air / Water	10 bar	15 bar
P3	1 x G 1/4"	1 x G 1/4"	Luft / Wasser / Air / Water	10 bar	15 bar
P4	1 x G 1/4"	1 x G 1/4"	Luft / Wasser / Air / Water	10 bar	15 bar



DIN ISO 5456-2	REFERENCES	DIN ISO 15775	FINISH	SCALE	REFERENCE Z
			+0.3 -0.1 -0.3	1:1	
			MATERIAL	WEIGHT	REFERENCE 1
			1.4057 (X17CrNi16-2)	17,534 kg	
STANDARDS	DWG NO	REVISION	FIRST RELEASE	18.05.2006	
	366000002	B-	DESIGNER	28.09.2023	
			APPROVED	28.09.2023	
			DESCRIPTION	200065512	
			SIZE/FORM	DOCUMENT TYPE	
			G1/4" - G1/4" / MAX.200U/MIN		
SCHLEIFRING			Draht: 1000404550/D02/000/02 Modell: 1000404550/D20/000/02		
			A1		

All parts and components shown in this document are original products of Schleifring GmbH Germany and are to be used as such. Reproduction, distribution and diffusion as well as the communication of its contents to others without express authorization is prohibited. Offenders will be held liable for the payment of damages. Copyright reserved for the design of Schleifring GmbH Germany.