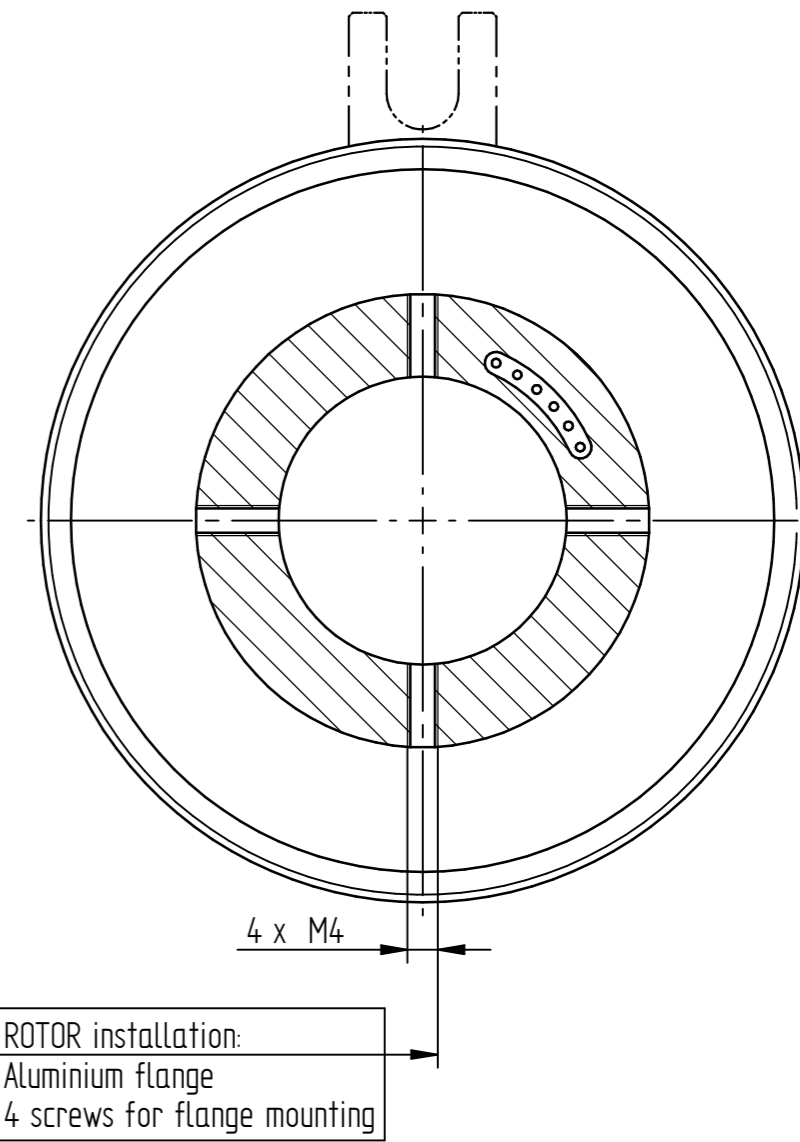
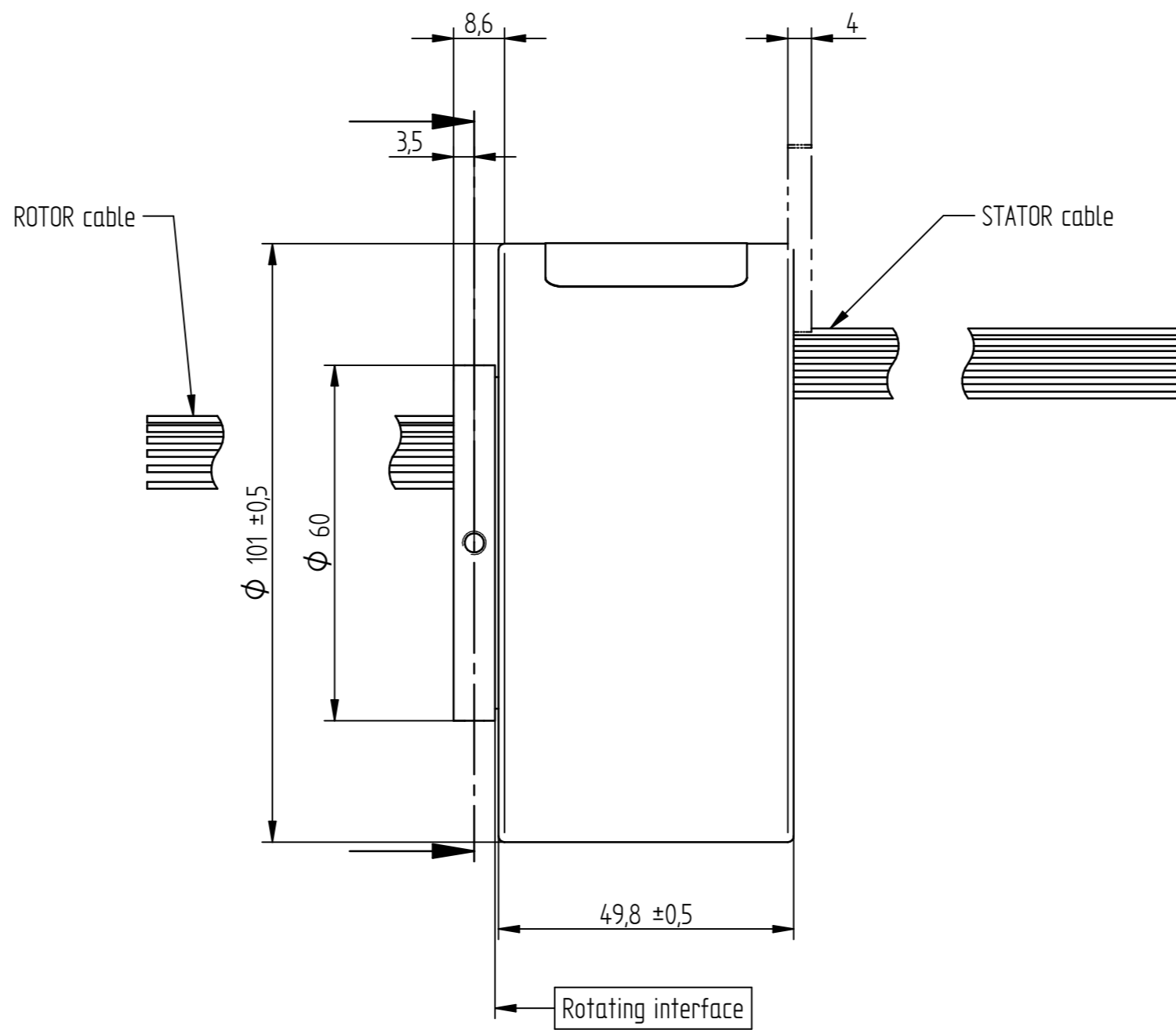


STATOR installation:
Anti-rotation tab to be mounted optionally, see manual
Anti-rotation tab is enclosed in the packaging



Wiring diagramm see sheet 2

Die Montageanleitung 7BC000000 wird elektronisch bereitgestellt.
The assembly instruction 7BC000000 is provided in electronic format.

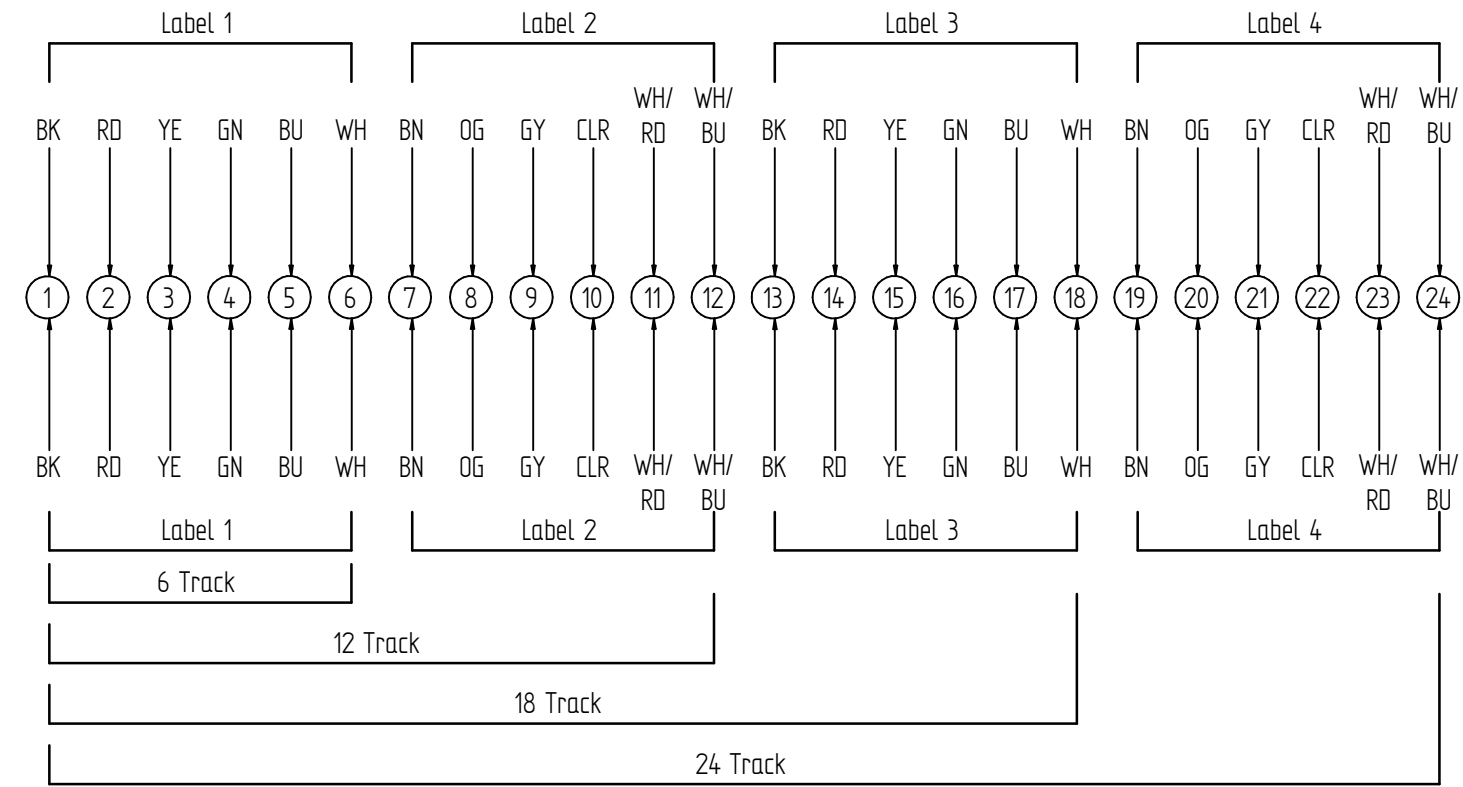
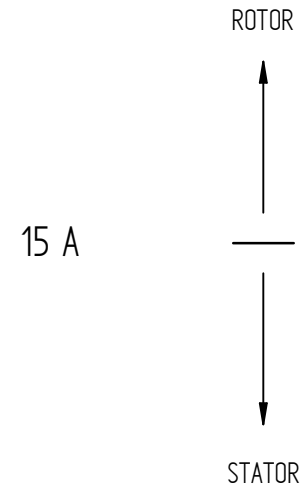
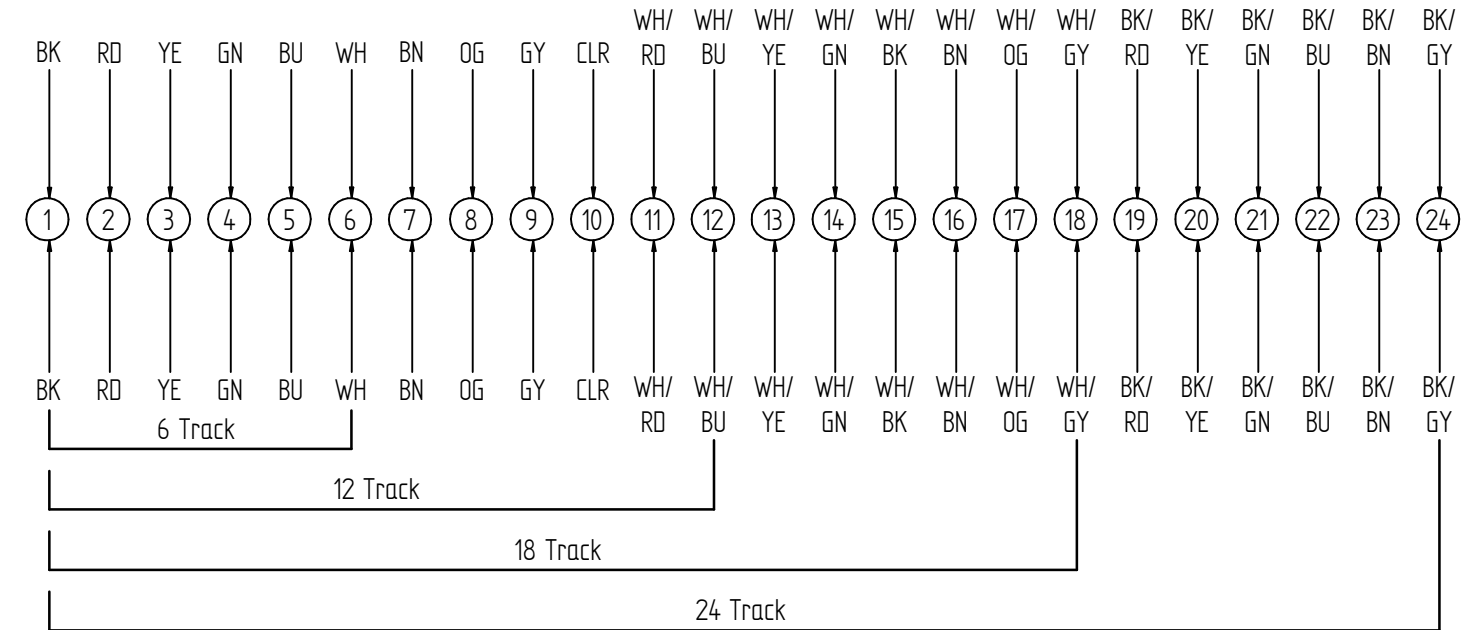
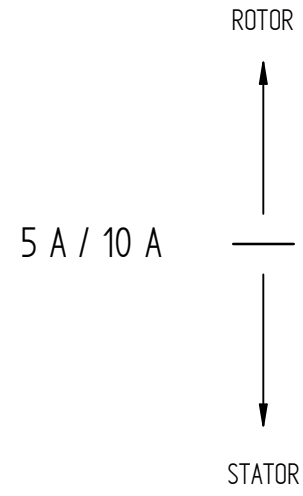
ELECTRONIC & ELECTRIC		MECHANICAL	
Rating Voltage	250 V AC / DC or 400 V AC	Working Speed	300 rpm max.
		Inner Diameter	Ø 38,1
		Contact Material	Precious Metals
Current	10 A	Lead Wire Length	STATOR: 250 mm ROTOR: 250 mm
Track	6	/	/
Insulation Resistance	500 MΩ @ 500 V DC	/	/
ENVIRONMENT		REMARKS	
Working Temperature	-20 °C to +60 °C	Application	see Manual
Working Humidity	≤ 60 % RH	Other	/
Protection Class	IP50	Note:	/

10	1	70C000003	Maverick Schleifring 6-Weg 10A		
Pos.	Anz.	Mat.Nr.	Kurztext	GroÙe/Abmessung	Werkstoff
1	2	3	4	5	6
DIN ISO 5456-2		TOLERANCES		DIN ISO 13715	
ISO 2768 - mH		+0,3 +0,1		-0,1 -0,3	
STANDARDS		DWG NO		REVISION	
ISO 8015 ISO 14405		7KC000003		B1	
		Beschreibung		CHANGE NO	
		Maverick Schleifring 6-Weg 10A		200120151	
		Maverick Slip Ring 6-Track 10A		DOCUMENT TYPE	
				Kundenzeichnung	
		Draft: 1000955624/D02/000/03		Modell: 1000955624/D00/000/03	
				SHEET 1/2	
				A2	

All drawings are the property of Schleifring GmbH Germany and are to be treated as confidential. The reproduction, distribution and utilization as well as the communication of its contents to others without express authorization is prohibited. Offenders will be held liable for the payment of damages. All rights reserved in the event of the grant of a patent utility model or design.

All drawings are the property of Schleifring GmbH/ Germany and are to be treated as confidential. The reproduction, distribution and utilization as well as the communication of its contents to others without express authorization is prohibited. Offenders will be held liable for the payment of damages. All rights reserved in the event of the grant of a patent, utility model or design.

Cable Table	
Current	Cable
5 A / Signal	AWG17
10 A	
15 A	AWG14



DIN ISO 5456-2 	TOLERANCES ISO 2768 - mH	DIN ISO 13715 +0,3 +0,1 -0,1 -0,3	FINISH	SCALE 1:1	REFERENCE 2
STANDARDS ISO 8015 ISO 14405		DWG NO 7KC000003	MATERIAL	WEIGHT 0,001 kg	REFERENCE 1
		Beschreibung Maverick Schleifring 6-Weg 10A DESCRIPTION Maverick Slip Ring 6-Track 10A SIZE/DIM.	REVISION B1	FIRST RELEASE	28.07.2021
			APPROVED AGREPPMAYR		21.11.2022
			CHANGE NO 200120151	SHEET 2/2	