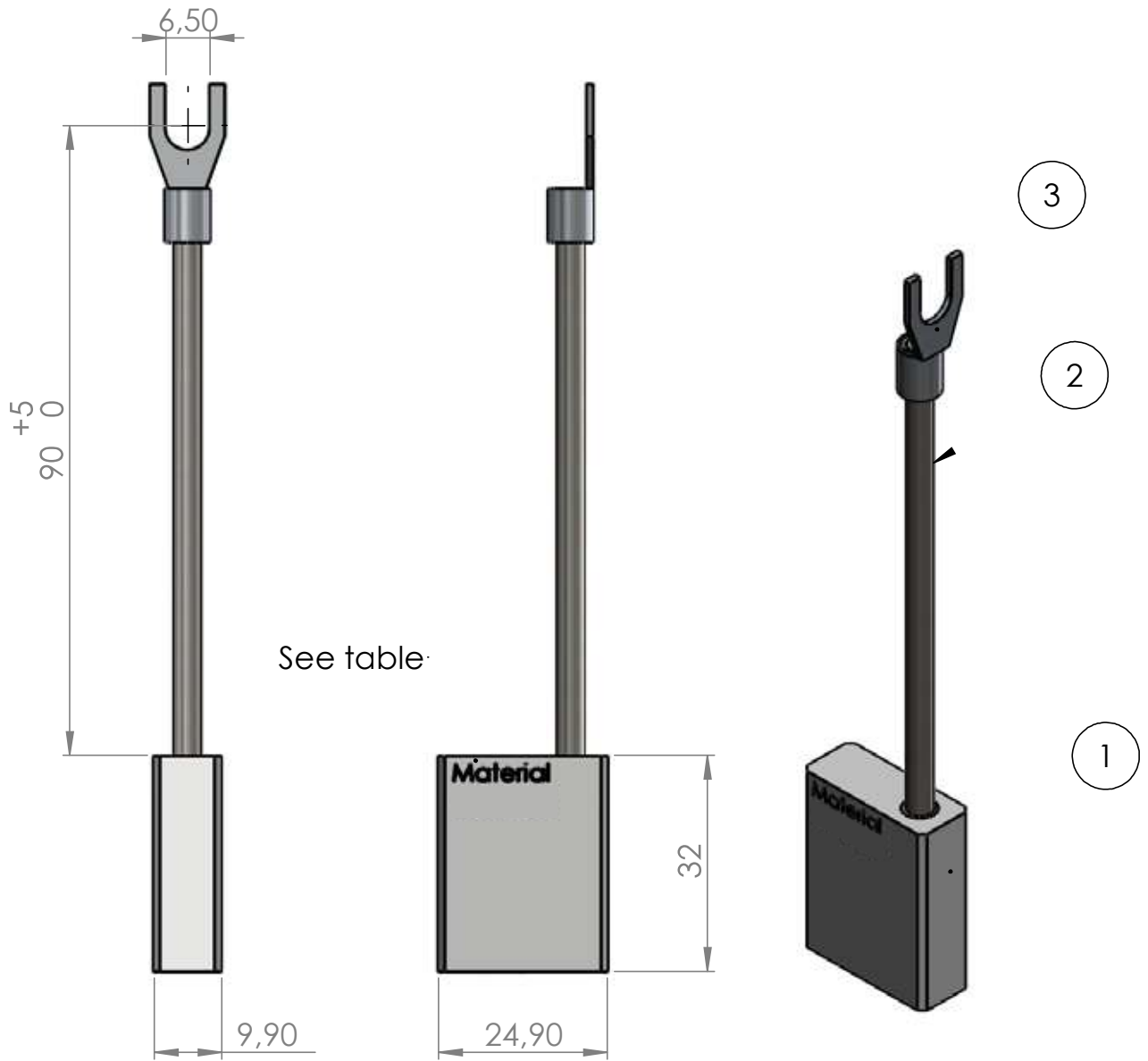




ITEM NO.	Description	Art nr	Material	QTY.
1	Brush	25 x 10 x 32 mm	Se table	1
2	SP Braid 6 mm ² x 90 mm	CAC05	Silver plated	1
3	Terminal SRO 6	CCA12		1



Art nr	Material
4508-CT	CA10
4508-CV	CA20
4508-UC	CA35L

Drawn By	Last Changed Date	Surface Treatment		CAD-System
Approved By	Date 2015-10-23	General Surface Roughn.	Material See table	Drawing Size A4
 SCHLEIFRING		Title Grounding silver brush		Scale 1:1
		Drawing No 4508-XX		Sheet 1 (1)

This document must not be copied without Carbox AB written permission, and the contents thereof must not be imparted to a third party nor be used for any unauthorized purpose. Contravention will be prosecuted.