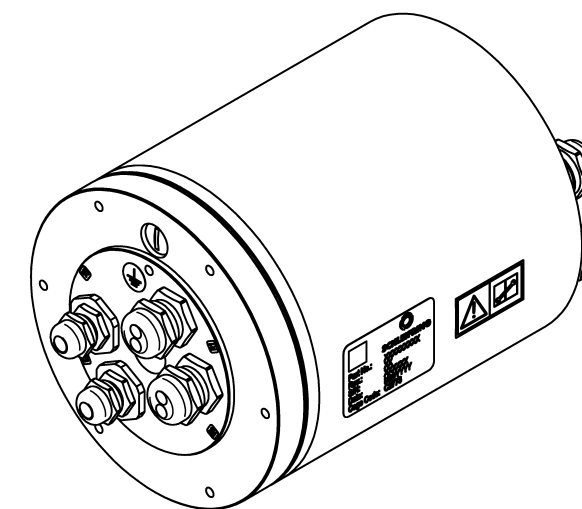


ROTOR CABLE LENGTH 2m ±50mm  
Kabellänge 2m ±50mm

STATOR CABLE LENGTH 5m ±50mm  
Kabellänge 5m ±50mm



All drawings are the property of Schleifring GmbH Germany and are to be treated as confidential. The reproduction, distribution and utilization as well as the communication of its contents to others without express authorization is prohibited. Offenders will be held liable for the payment of damages. All rights reserved in the event of the grant of a patent, utility model or design.

Note 1

185000587:



**Vor Öffnen des Schleifrings  
Sicherheitshinweise beachten!  
Follow safety instructions prior to  
opening the slip-ring!**

Schutzart nach DIN 40050:	IP 54
Protection class acc. to IEC 529:	
Betriebstemperatur:	-10°C to +70°C
Operating temperature range:	
Drehzahl:	140 1/min
Speed max:	
Drehmoment:	ca. 2 Nm
Torque:	

20	1	7SG390015	15+PE-Weg Stromlaufplan		
10	1	7MG390015	015+PE-Wege Montageeinheit		
Pos.	Anz.	Mat.Nr.	Kurztext	Größe/Abmessung	Werkstoff
1	2	3	4	5	6
DIN ISO 5456-2	TOLERANCES	DIN ISO 13715	+0,3 L+0,1	-0,1 L-0,3	FINISH AL-Passivierung,SAF-P035(RoHS)
ISO 8015	ISO 2768 - mH			SCALE 1:2	REFERENCE 2
ISO 14405				MATERIAL	WEIGHT 6,600 kg
STANDARDS	DWG NO	REVISION	FIRST RELEASE	2006/01/19	
	7KG390015	C-	DESIGNER	SWOLF	2019/09/17
			APPROVED	MHOGNAUER	2019/09/17
	Beschreibung 015-Wege Schleifring	CHANGE NO	200085294		
	DESCRIPTION 015 - way slip ring	DOCUMENT TYPE	Company drawing		
	SIZE/DIM				SHEET 1/1

Draft: 1000457443/002/000/02 Modell: 1000457444/000/000/02 A2