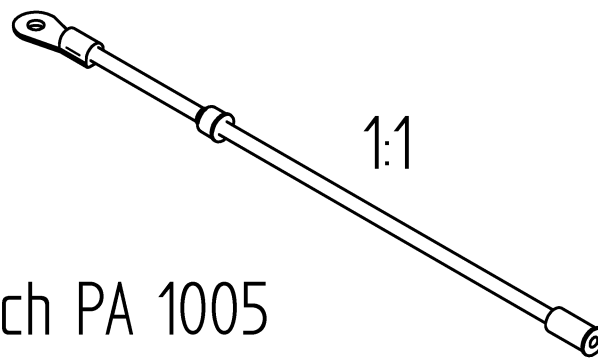
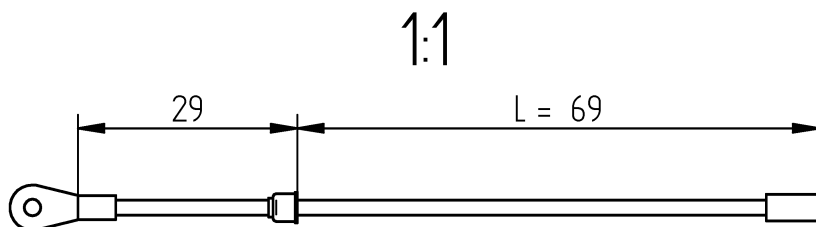


Label für Produktverpackung



Part No.: 537000008E

Quantity: XXXX



Silberbandbürste ölen nach PA 1005

30	1	537000008	Silberbandbuerste	M. SCHRUMPFSCHLAUCH	
20	1	491000010	Beutel mit Druckverschluss	60µM/INNENMAÛE: 80 X 120MM	PE
10	1	185000848	Label für Produktverpackung	98,0 x 54,0 x 0,1	481000026
Pos.	Anz.	Mat.Nr.	Kurztext	Größe/Abmessung	Werkstoff
1	2	3	4	5	6

DIN ISO 5456-2	TOLERANCES	DIN ISO 13715	FINISH	SCALE	REFERENCE 2
			MATERIAL	WEIGHT	REFERENCE 1

STANDARDS	DWG NO	REVISION	FIRST RELEASE	21.01.2013
	537000008E	D-	DESIGNER	TWAIBL
			APPROVED	AGREPPMAYR

	Beschreibung	Silberbandbürste	CHANGE NO	200112108
	DESCRIPTION	Silver Braid Brush	DOCUMENT TYPE	Ersatzteil Zeichnung
	SIZE/DIM.	L = 69	SHEET	1/1

All drawings are the property of Schleifring GmbH Germany and are to be treated as confidential. The reproduction, distribution and utilization as well as the communication of its contents to others without express authorization is prohibited. Offenders will be held liable for the payment of damages. All rights reserved in the event of the grant of a patent, utility model or design.