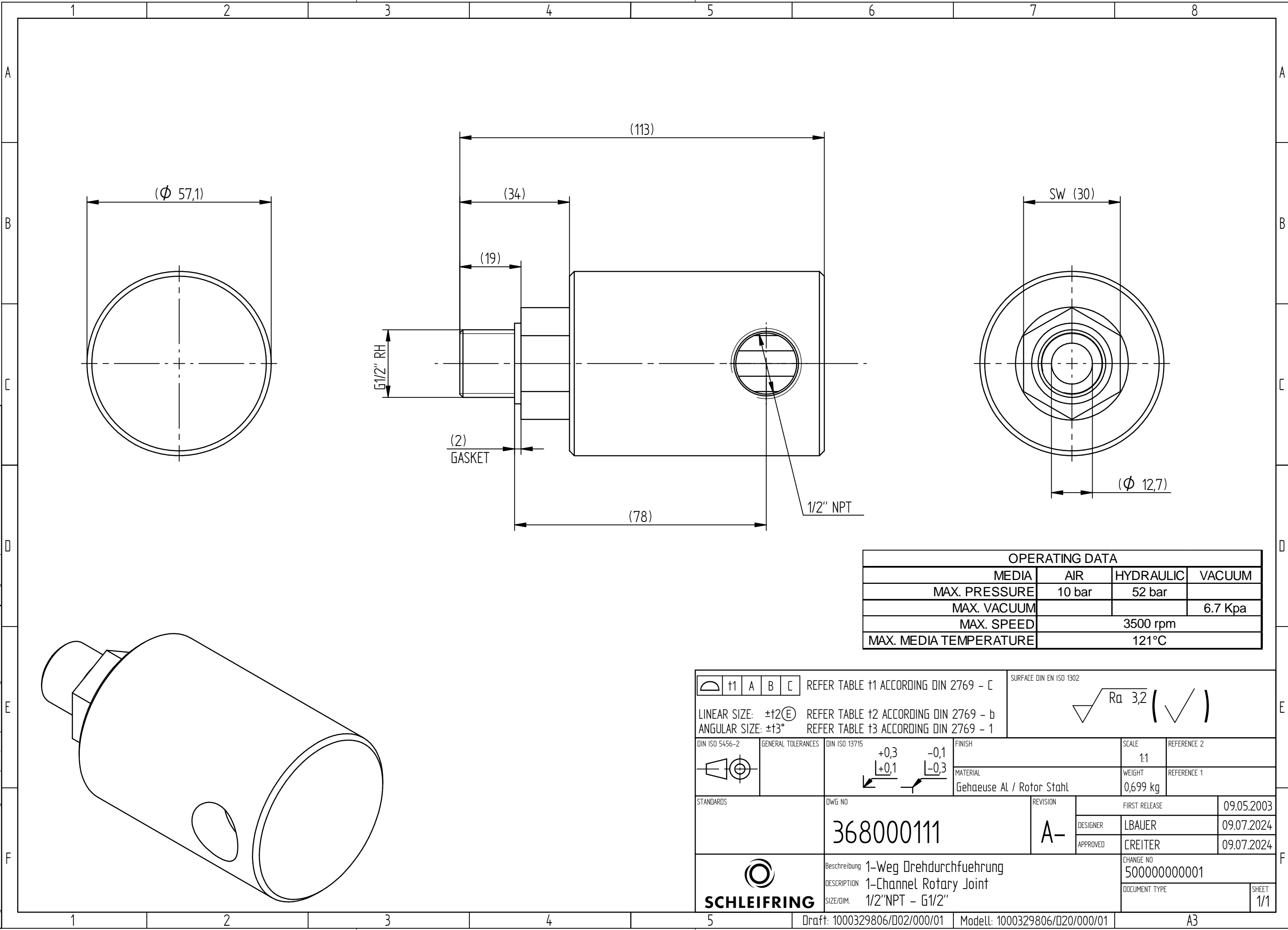


All drawings are the property of Schleifring GmbH/ Germany and are to be treated as confidential. The reproduction, distribution and utilization as well as the communication of its contents to others without express authorization is prohibited. Offenders will be held liable for the payment of damages. All rights reserved in the event of the grant of a patent, utility model or design.



OPERATING DATA			
MEDIA	AIR	HYDRAULIC	VACUUM
MAX. PRESSURE	10 bar	52 bar	
MAX. VACUUM			6.7 Kpa
MAX. SPEED	3500 rpm		
MAX. MEDIA TEMPERATURE	121°C		

t1 A B C REFER TABLE t1 ACCORDING DIN 2769 - C		SURFACE DIN EN ISO 1302	
LINEAR SIZE: ± 0.2 (E) REFER TABLE t2 ACCORDING DIN 2769 - b ANGULAR SIZE: $\pm 3^\circ$ REFER TABLE t3 ACCORDING DIN 2769 - 1		Ra 3,2 (✓)	
DIN ISO 5456-2	GENERAL TOLERANCES	DIN ISO 13715	FINISH
		$\begin{matrix} +0,3 & -0,1 \\ & \\ +0,1 & -0,3 \end{matrix}$	SCALE 1:1 REFERENCE 2
STANDARDS		DWG NO	MATERIAL
		368000111	Gehäuse Al / Rotor Stahl
		REVISION	WEIGHT
		A-	0,699 kg
		APPROVED	REFERENCE 1
		CREITER	
		DESIGNER	FIRST RELEASE
		LBAUER	09.05.2003
		APPROVED	09.07.2024
		CREITER	09.07.2024
		Beschreibung 1-Weg Drehdurchführung DESCRIPTION 1-Channel Rotary Joint CHANGE NO 500000000001 SIZE/DIM. 1/2"NPT - G1/2"	
		DOCUMENT TYPE SHEET 1/1	